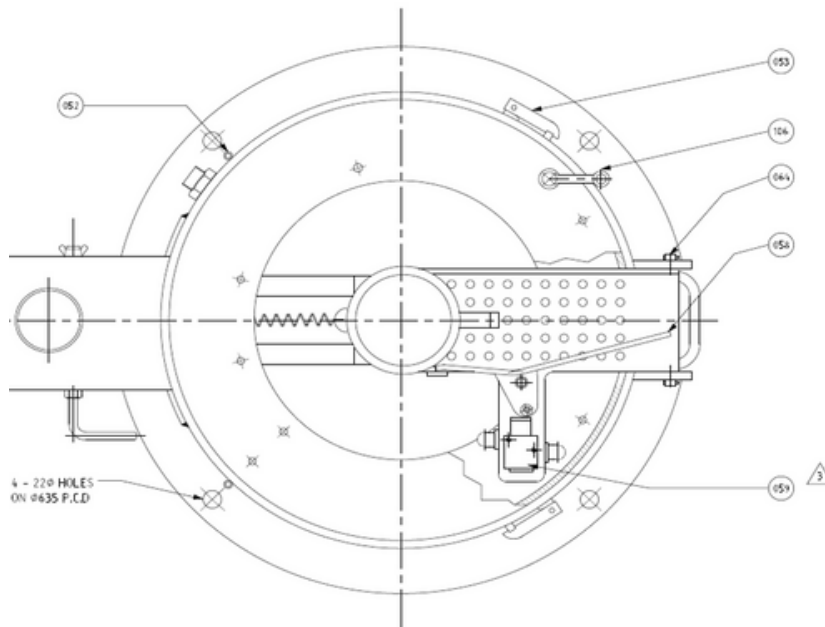




## VERTICAL SPINDLE PULVERISER SPARES LIST

The Keegor Crusher spares list identifies the correct recommended spares and parts for your machine. We strive for our clients to be able to identify which spares and critical parts they require by understanding the correct descriptions of each part and the exact quantities needed for their machines. In addition, we offer monthly or quarterly services using our highly-skilled artisans.



PART NAME	QTY	STOCK CODE
V-PULLEY ON PULVERISER (077)	1	15-0021-077-A
NEOPREME SEAL (082)	1	15-0021-082-A
SPINDLE LOWER END BLOWDOWN JET (086)	1	15-0021-086-A
SWIVEL CONNECTOR HOUSING (078)	1	15-0021-078-A
FUNNEL AND FEED HOPPER LID SEALS (087)	1	15-0021-087-A
SWIVEL CONNECTOR ANCHOR (091)	1	15-0021-091-A
BELLOWS RETAINING PLATE (101)	1	15-0021-101-A
EXTENTION SHAFT (102)	1	15-0021-102-A
SWIVEL CONNECTOR HOUSING (103)	1	15-0021-103-A
SWIVEL CONNECTOR BEARING (104)	1	15-0021-104-A
SHAFT SEAL (105)	1	15-0021-105-A
EXTENSION SHAFT FOR CONTROL VALVE (106)	1	15-0021-106-A



## VERTICAL SPINDLE PULVERISER SPARES LIST

PART NAME	QTY	STOCK CODE
MAIN AIR SUPPLY CONNECTION (002)	1	15-0021-002-A
UPPER BEARING (013)	1	15-0021-013-A
NEOPRENE OIL SEAL (014)	2	15-0021-014-A
TRUST RACE (015)	1	15-0021-015-A
SPHERICAL ROLLER BEARING (017)	1	15-0021-017-A
NEOPRENE OIL SEAL (020)	1	15-0021-020-A
FELT DUST SEAL (021)	1	15-0021-021-A
VERTICAL SPINDLE (022)	1	15-0021-022-A
NEOPRENE "O" RING (023)	1	15-0021-023-A
NEOPRENE RADIAL SHAFT SEAL (024)	1	15-0021-024-A
FELT DUST SEAL (039)	1	15-0021-039-A
PROTECTIVE BELLOWS (040)	1	15-0021-040-A
STATIONARY DISC HOLDER (042A)	1	15-0021-042-A
STATIONARY DISC HOLDER (042B)	1	15-0021-042-A
STATIONARY DISC (043)	1	15-0021-043-A
ROTATING DISC (044)	1	15-0021-044-A
FUNNEL CLAMP (048)	2	15-0021-048-A
SAMPLE RECEIVER (049)	1	15-0021-049-A
DOOR HINGE (052)	4	15-0021-052-A
DOOR CATCH (053)	2	15-0021-053-A
DUST FELT SEAL (056)	1	15-0021-056-A
PLATFORM LATCH (058)	1	15-0021-058-A
BLOWDOWN VALVE (059)	1	15-0021-059-A
PLATFORM ELEVATING CYLINDER (063)	1	15-0021-063-A
PLATFORM HINGE PIN (064)	1	15-0021-064-A
REVOLVING DISC ADAPTOR (073)	1	15-0021-073-A
V-PULLEY ON MOTOR (075)	1	15-0021-075-A
V-BELT (076)	1	15-0021-079-A

